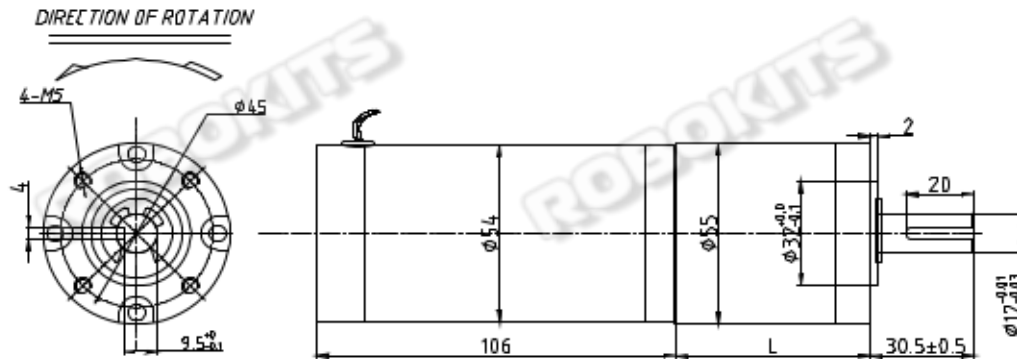


Model Number
RMCS-3090

INDUSTRIAL GRADE IG55 PLANETARY DC GEARED MOTOR
100W 60RPM 24V 80KGM

Mechanical Drawing (Dimensions are in mm)



Technical Specifications Of Motor

| | |
|-----------------------------|-----------------------------------|
| Motor Type | HEAVY DUTY PLANETARY GEARED MOTOR |
| Operating Voltage | 24V DC |
| Motor Speed at Output Shaft | 60 RPM |
| Stall Torque | 120 Kg-cm |
| Rated Torque | 80 Kg-cm |
| Gear Ratio | 1:100 |
| Weight | 1620g |
| Gearbox Breaking Torque | 200 Kg-cm |

Base Motor Specifications

| | |
|---------------------|----------|
| Nominal Voltage (V) | 24 V DC |
| No load Speed | 7000 RPM |
| Rated Torque | 30 Kg-cm |
| No-load Current (A) | 0.98A |

