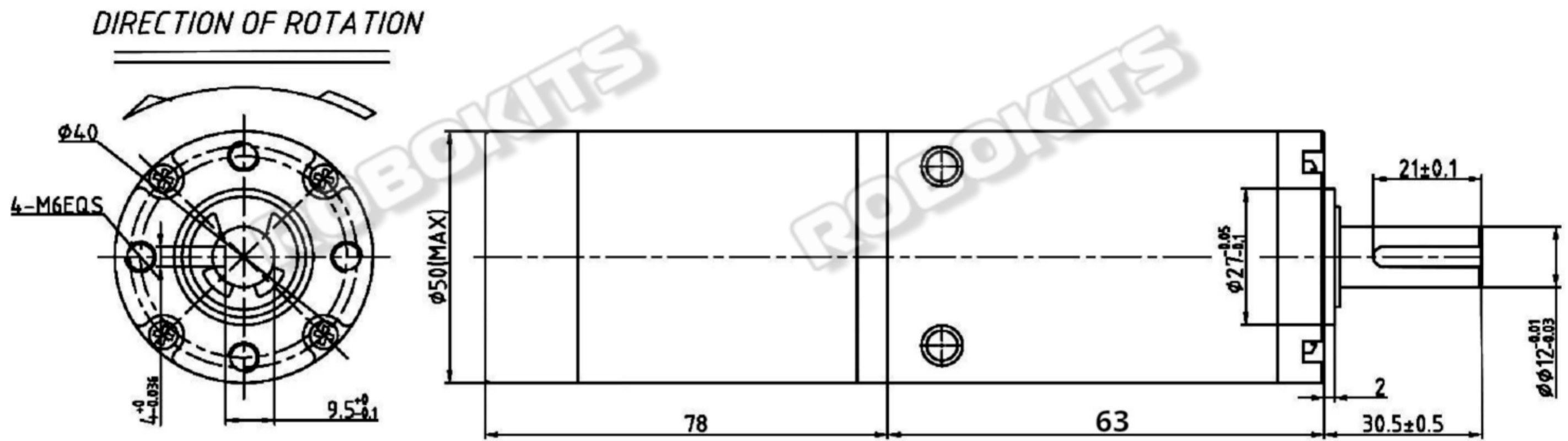


Model Number  
RMCS-3080

# INDUSTRIAL GRADE IG50 PLANETARY DC GEARED MOTOR

## 60W 60RPM 24V 40KGCM

### Mechanical Drawing (Dimensions are in mm)



### Technical Specifications of Motor

Motor Type	HEAVY DUTY PLANETARY GEARED MOTOR
Operating Voltage	24 V DC
Motor Speed at Output Shaft (RPM)	60 RPM
Stall Torque (Kgcm)	60 Kgcm
Rated Torque (Kgcm)	40 Kgcm
Gear Ratio	1:100
Weight	1180g
Gearbox Breaking Torque (Kgcm)	200 Kgcm

### Base Motor Specifications

Nominal Voltage (V)	24 V DC
No load Speed (RPM)	7000 RPM
Rated Torque	66.80mN.m
No-load current (A)	0.75 A

