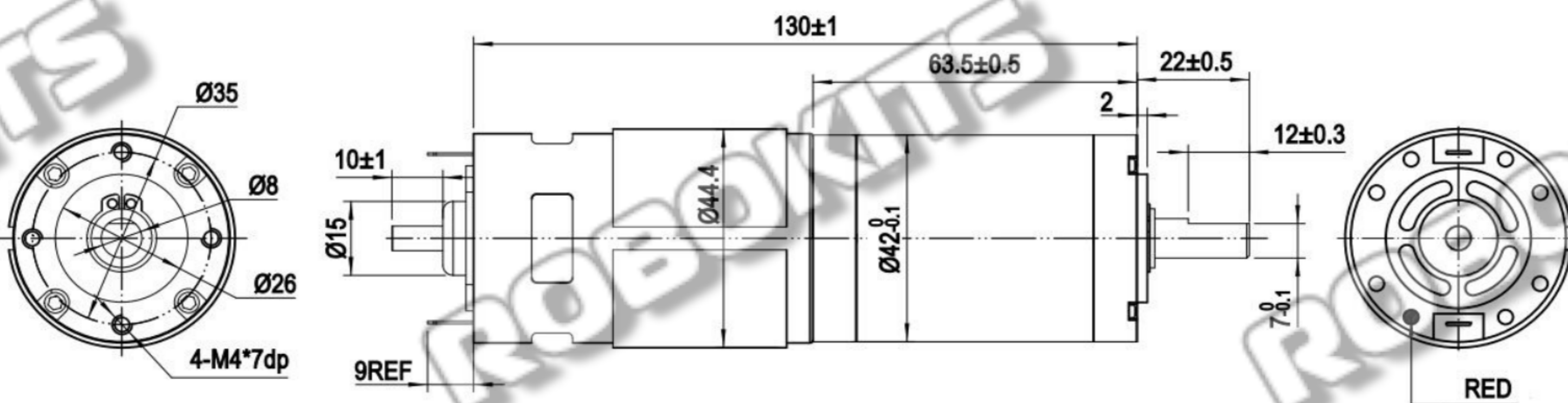


Model Number  
RMCS-1212

INDUSTRIAL GRADE IG45 PLANETARY DC GEARED MOTOR  
50W 50RPM 12V 53KGCM

Mechanical Drawing (Dimensions are in mm)



Technical Specifications of Motor

Motor Type	INDUSTRIAL GRADE PLANETARY DC GEARED MOTOR
Operating Voltage	12 V DC
Motor Speed at Output Shaft (RPM)	56 RPM
Stall Torque (Kgcm)	180 Kgcm
Rated Torque (Kgcm)	53 Kgcm
Gear Ratio	1:125
Weight	0.820 Kg
Gearbox Breaking Torque (Kgcm)	200 Kgcm

Base Motor Specifications

Nominal Voltage (V)	12 V DC
No load Speed (RPM)	7000 RPM
Rated Torque (gcm)	693 gcm
No-load current (A)	1.5 A
Load current (A)	5.6 A

