

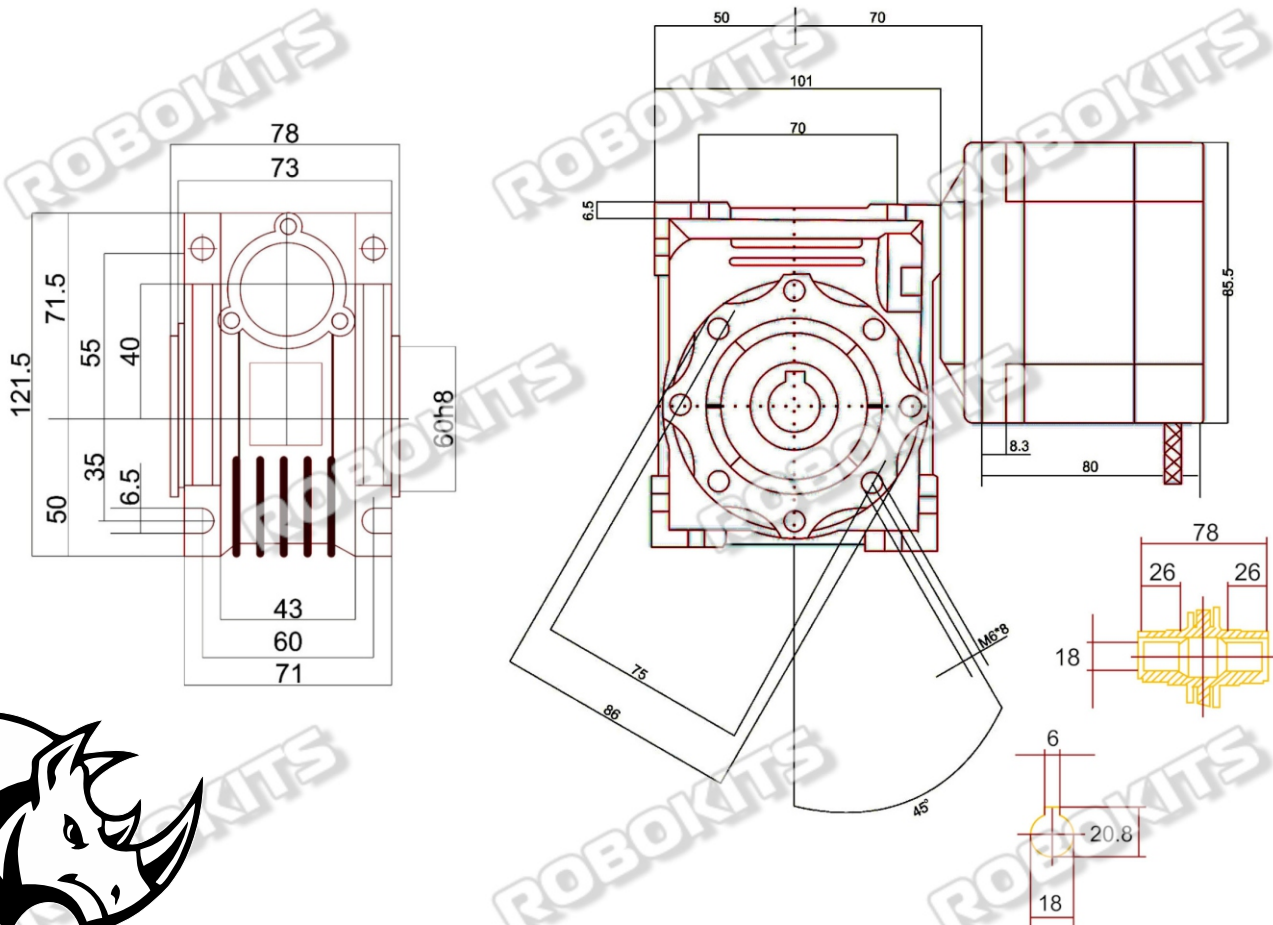
RMCS-2098 Nema34 STEPPER MOTOR WITH WORM GEARBOX 120kgcm

Motor Specifications:

Step Angle	1.8 Degree
Configuration	4 wire bipolar stepper motor
Holding Torque	85kgcm bipolar mode
Phase current	5Amp
Resistance/phase	0.76ohm
Inductance/Phase	8.5mH
Rotor inertia	2700 gcm ²
Length (L)	80mm
Shaft Dia	12.7mm
Shaft Length	32mm
Weight	2100 grams

Gearbox Specifications:

Installations for gear	Horizontal
Gear Ratio	5 : 1
Output Key Shaft Diameter	20.8mm
Output Shaft Diameter	14 mm
Ouput Key Diameter	6mm
Input Key Diameter	5mm
Category	Worm gear reducer
Gearbox weight	2.03kg



RHINO