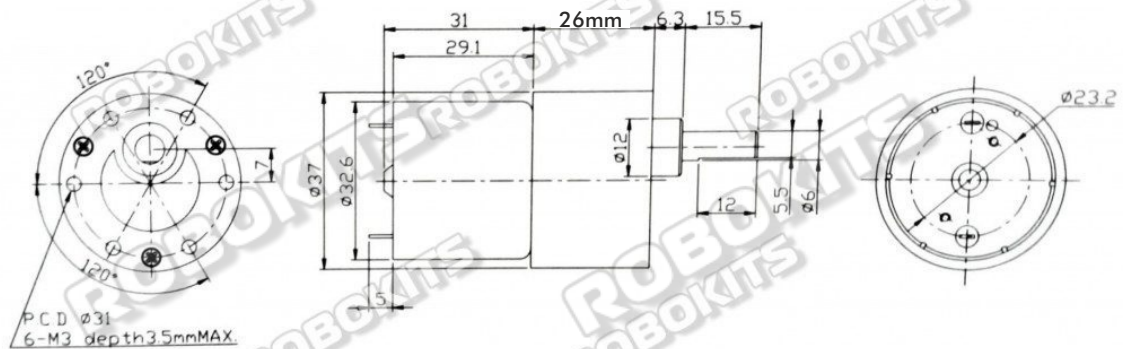


Model Number
RMCS-4088

**RHINO GB37 12V 20RPM 20KGCM
DC GEARED MOTOR**

Mechanical Drawing (Dimensions are in mm)



Motor Specifications

Base Motor Rpm	9000
No Load Rpm	20
Rated Rpm	17
Rated Voltage	12V
Rated Current	300mA
Rated Power	1.3W
Rated Torque	5 Kgcm
Stall Torque	20 Kgcm
Shaft Length	15mm
Shaft Dia	6mm
Weight	-

Gear Specifications

Gear Ratio	1:506.25
------------	----------



RHINO