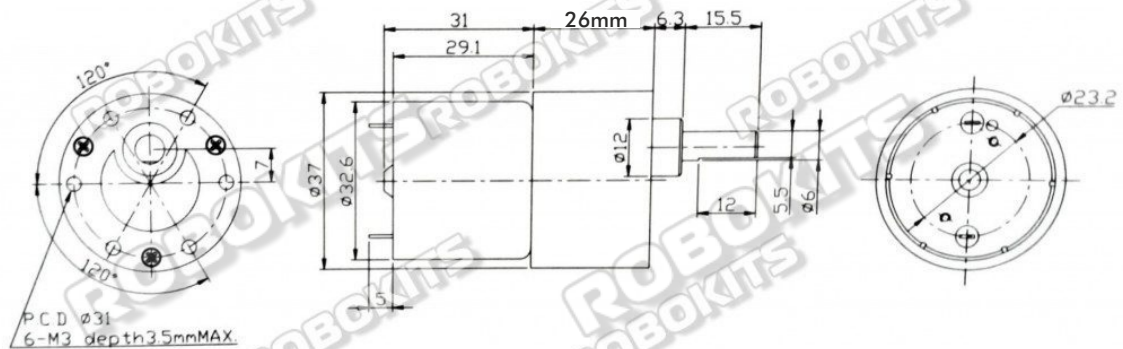


Model Number
RMCS-4086

**RHINO GB37 12V 60RPM 10.4KGCM
DC GEARED MOTOR**

Mechanical Drawing (Dimensions are in mm)



Motor Specifications

Base Motor Rpm	9000
No Load Rpm	60
Rated Rpm	53
Rated Voltage	12V
Rated Current	300mA
Rated Power	1.3W
Rated Torque	2.4 Kgcm
Stall Torque	10.4 Kgcm
Shaft Length	15mm
Shaft Dia	6mm
Weight	160g

Gear Specifications

Gear Ratio	1:168.75
------------	----------



RHINO