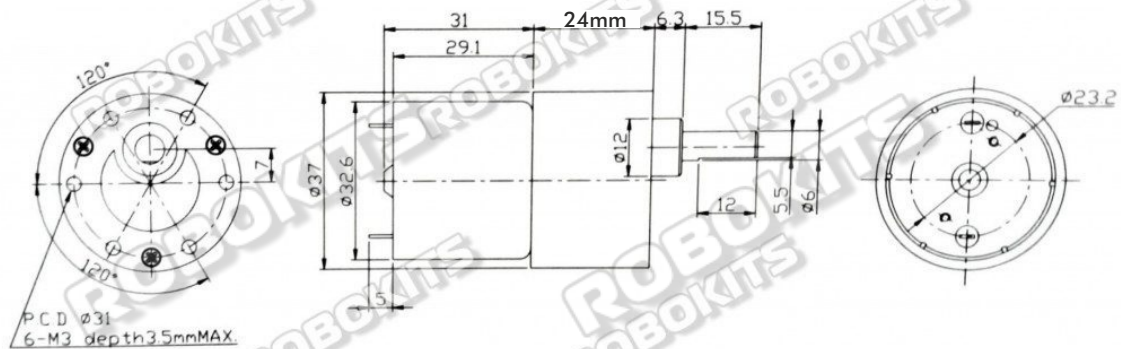


Model Number  
RMCS-4085

**RHINO GB37 12V 110RPM 6.5KGCM  
DC GEARED MOTOR**

**Mechanical Drawing (Dimensions are in mm)**



**Motor Specifications**

Base Motor Rpm	9000
No Load Rpm	110
Rated Rpm	100
Rated Voltage	12V
Rated Current	300mA
Rated Power	1.3W
Rated Torque	1.5 Kgcm
Stall Torque	6.5 Kgcm
Shaft Length	15mm
Shaft Dia	6mm
Weight	130g

**Gear Specifications**

Gear Ratio	1:90
------------	------



**RHINO**