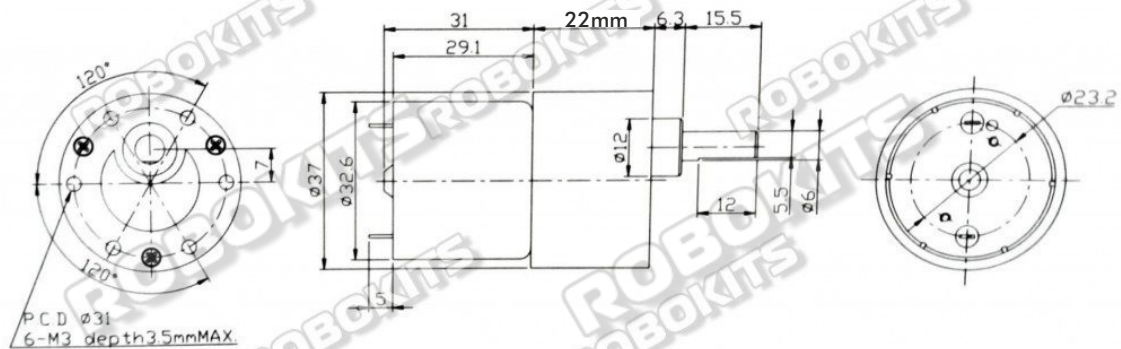


Model Number  
RMCS-4083

**RHINO GB37 12V 330RPM 2.2KGCM  
DC GEARED MOTOR**

**Mechanical Drawing (Dimensions are in mm)**



**Motor Specifications**

Base Motor Rpm	9000
No Load Rpm	330
Rated Rpm	300
Rated Voltage	12V
Rated Current	300mA
Rated Power	1.3W
Rated Torque	0.5 Kgcm
Stall Torque	2.2 Kgcm
Shaft Length	15.5mm
Shaft Dia	6mm
Weight	130g

**Gear Specifications**

Gear Ratio	1:30
------------	------



**RHINO**