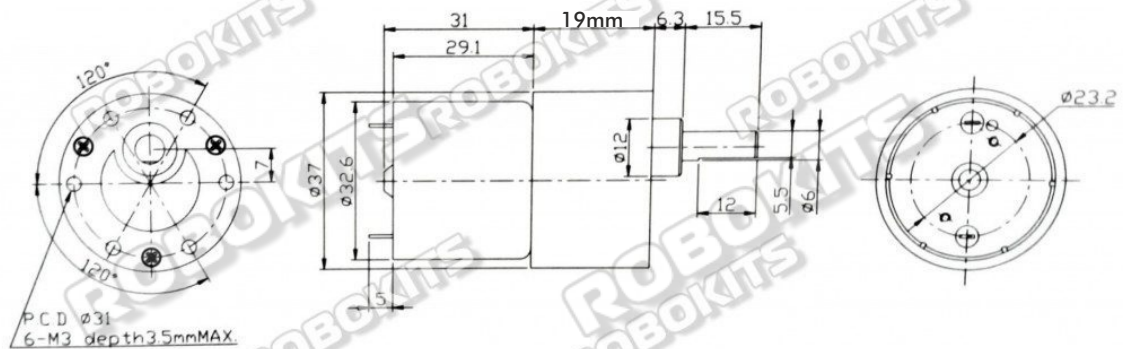


Model Number
RMCS-4081

**RHINO GB37 12V 1000RPM 0.7KGCM
DC GEARED MOTOR**

Mechanical Drawing (Dimensions are in mm)



Motor Specifications

Base Motor Rpm	9000
No Load Rpm	1000
Rated Rpm	900
Rated Voltage	12V
Rated Current	300mA
Rated Power	1.3W
Rated Torque	0.17 Kgcm
Stall Torque	0.7 Kgcm
Shaft Length	15mm
Shaft Dia	6mm
Weight	130g

Gear Specifications

Gear Ratio	1:10
------------	------



RHINO