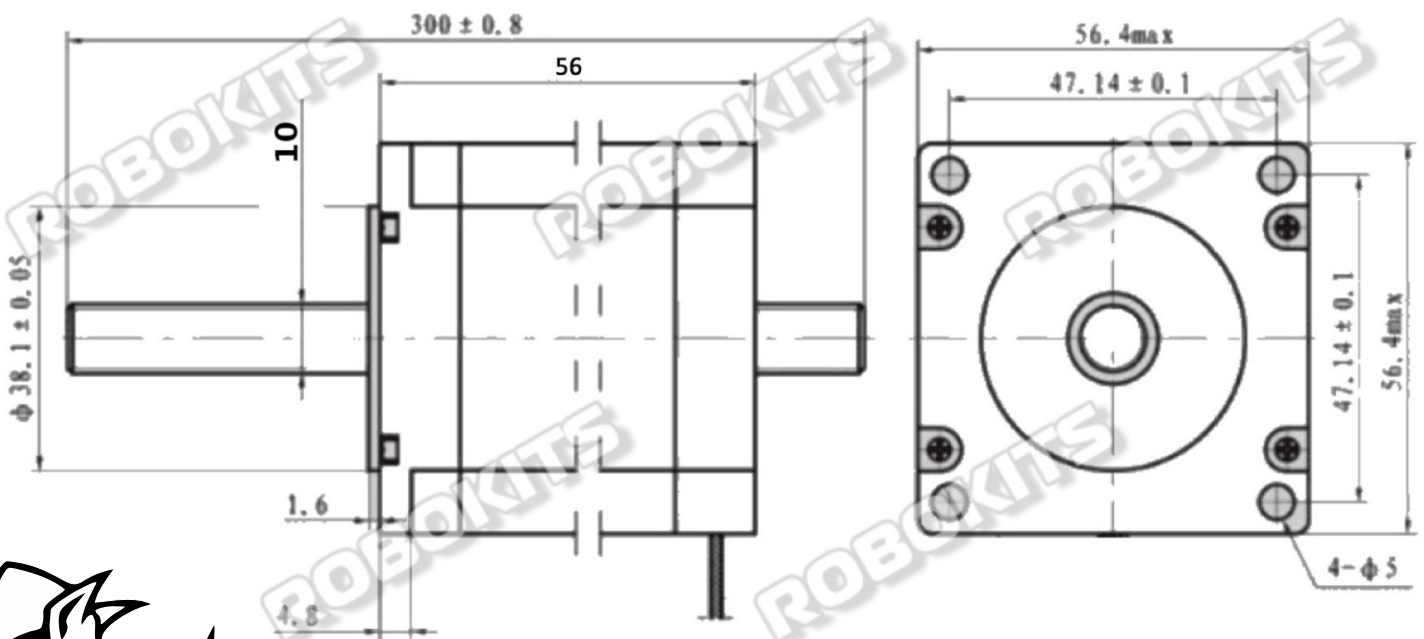


RMCS-3044 NEMA23 10KGCM THROUGH-TYPE LINEAR LEAD SCREW STEPPER MOTOR

General Specifications		Electrical Specifications	
Number Of Phase	2	Rated Voltage	24 V
Insulation Class	Class B	Rated Current	2.8 A
Step Angle	1.8	Resistance Per Phase	0.9Ω
Rotor Inertia	57 Gcm ²	Inductance Per Phase	2.5 mH
Lead Wire	4	Holding Torque	126 N.cm
Lead Screw Type	Four Start	Wiring Specifications	
Lead Screw Pitch	2 mm	A+	Blue
Motor Weight	800 g	A-	Yello
		B+	Green
		B-	Red



RHINO