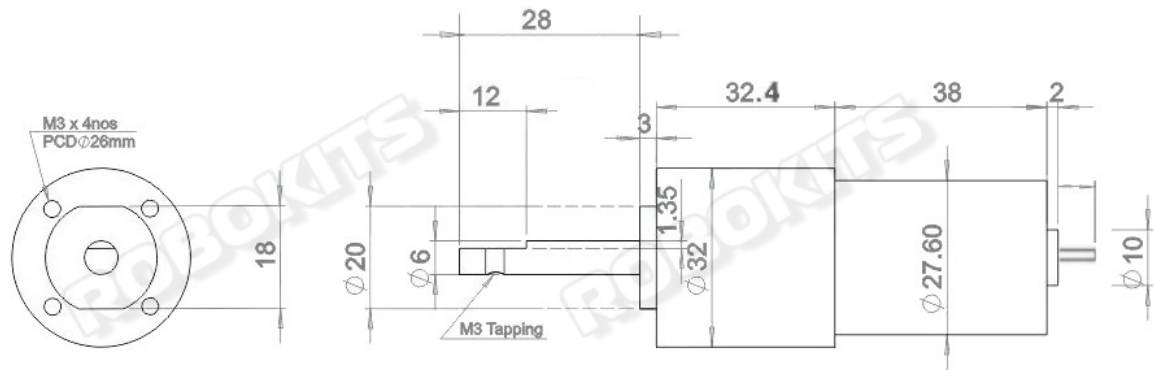


Model Number
RMCS-2076

Planetary Geared DC Motor 40Kgcm 750RPM 100W

Mechanical Drawing (Dimensions are in mm)



Motor Specifications

Motor Type	DC Brushed Motor
Base Motor Speed	18000 Rpm
Rated Voltage	12V DC
No Load Current	0.8A 800mA
Rated Load Current	Up To 7.5A Max

Gearbox Specifications

Gearbox Type	3-Stage Metal Planetary Gearbox
Gear Material	Metal Gears
Gearbox output Speed	200 Rpm 12V
Rated Output Torque	15 Kgcm
Stall Torque	60 Kgcm

Mechanical Dimensions

Gearbox Dia	32 mm
Motor Dia	27.5 mm
Motor length (Without Shaft)	70 mm
Output Shaft Type	D-Shaped
Output Shaft Dia	6 mm
Output Shaft length	16 mm
Back Shaft Length	9 mm
Threading	M3 Threaded Shaft Hole



RHINO