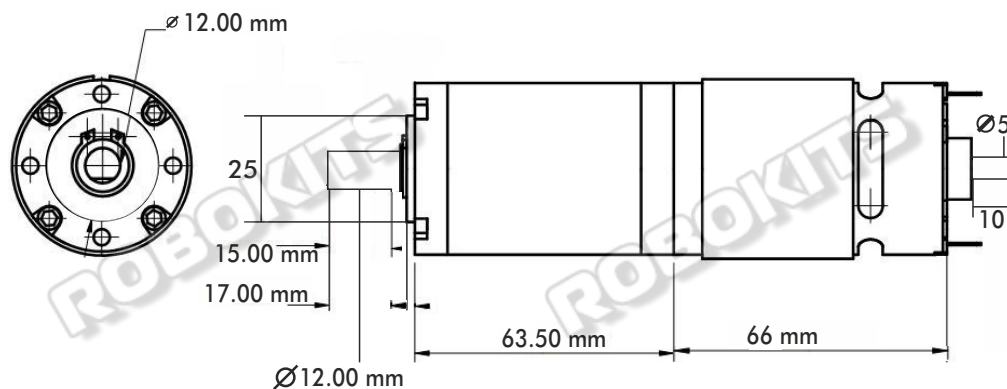


Model Number
RMCS-2699

MEGA TORQUE PLANETARY DC GEARED MOTOR 250W
100RPM 18VDC - 12MM SHAFT

Mechanical Drawing (Dimensions are in mm)



Motor Specifications

Rated Voltage	18V DC
No Load Speed	108 RPM
No Load Current	2.7 Amps
Rated Speed	94 RPM
Rated Current	18.7 Amps
Stall Current	130 Amps
Motor Length Without Shaft	135 mm
Shaft Length	20 mm
Motor Dia	46 mm
Shaft Dia	12 mm
Weight	850 gram

Gearbox Specifications

Gear Ratio	1:181
Rated Torque	250 kgcm
Gearbox Breaking Torque	200 kgcm
Mounting Hole Size	M4



RHINO