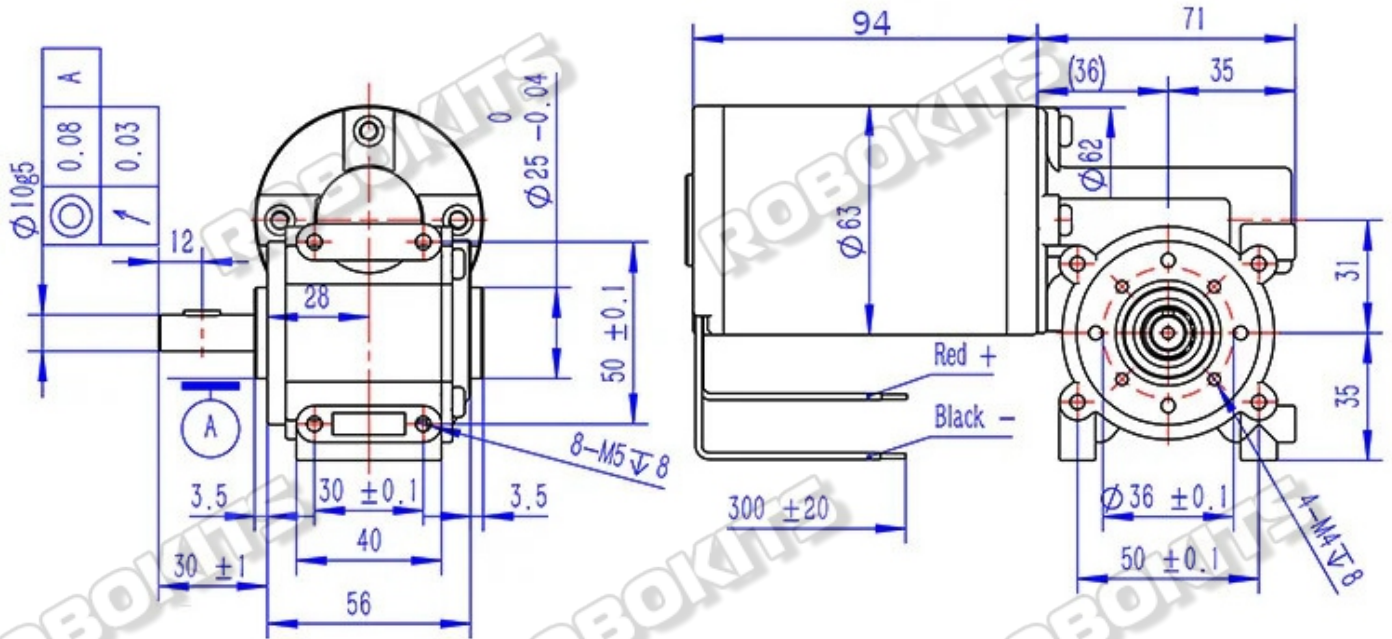


Model Number
RMCS-2094

**RHINO 24V 100RPM 20KG-CM 50W PMDC WORM
GEARED MOTOR**

Mechanical Drawing (Dimensions are in mm)



Motor Specifications

Bearing	High Quality Ball Bearing
Magnet	Hard Ferrite, 2-Pole
Protection Class	IP50
Insulation Class	F
Working Temp	-40 °C To + 140 °C

Worm Gearbox Specifications

Reduction Ratio	30
Efficiency	0.45
Weight	0.4 Kg
Axial / Radial Load	300N / 350N

Motor Technical Specifications

Model	150W 100RPM
Rated Voltage	24V DC
Rated Speed	3200 RPM
Rated Torque	0.15 N.m
Rated Current	2.8A
Output Power	50W
No Load Speed	3600 RPM
Weight	1 Kg
Motor Length	95 mm

Worm Gear Motor (Motor + Gearbox)

Reduction Ratio	30
Transmission Efficiency	45%
No Load Speed	120 RPM
Rated Speed	100 RPM
Rated Torque	2.0 N.m



RHINO