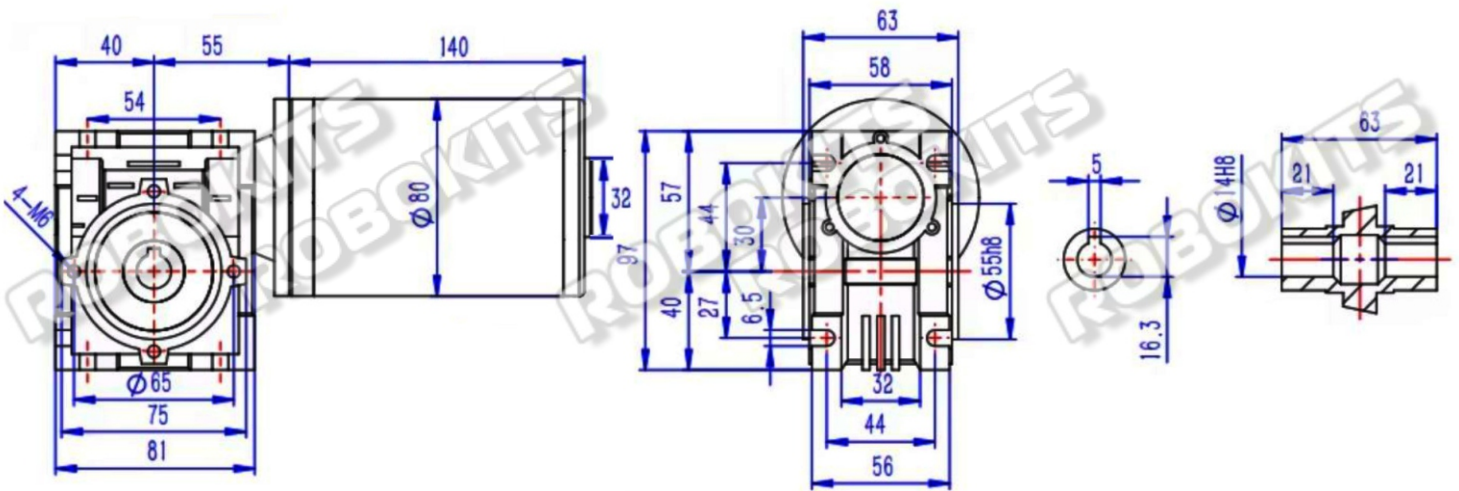


Model Number
RMCS-2069

RHINO 24V 100RPM 100W PMDC WORM GEARED MOTOR

Mechanical Drawing (Dimensions are in mm)



Motor Specifications

Base Motor Dia	80 mm
Motor Length With Gearbox	235 mm
Motor Weight	4500 g
Base Motor Speed	1800 Rpm
No Load Current	1.35 A
Stall Current	Up to 30 A (Max)
Insulation Class	Class F
Working Temperature	-40C To +140C
Protection Class	IP50

Gearbox Specifications

Gear Ratio	1:15
Hardened Hollow Shaft Dia	16.3
Rated Output Speed	100 Rpm
Rated Torque	60 Kgcm
Stall Torque	90 Kgcm
Gearbox Breaking Torque	200 Kgcm



RHINO