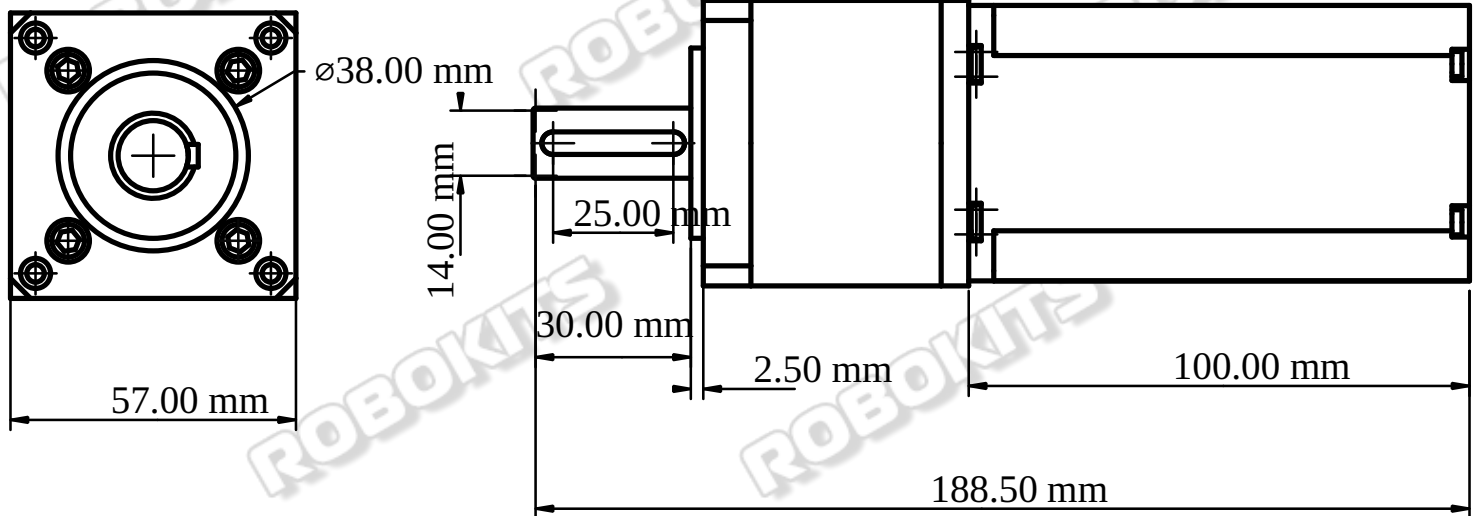


# RMCS-2044 | Nema23 PLANETARY GEARED STEPPER MOTOR 60KGCM

General Specifications		Electrical Specifications	
Step Angle	1.8 Degree, 50 pole	Category	Planetary gear reducer
Configuration	4 wire bipolar stepper motor, 2-phase AC	Efficiency	96%
Rated Voltage	2.5V	Ratio	1:5
Phase current	4.2Amp	Noise	<45 DB
Resistance/phase	1.13E	Backlash	<15 Arcmin
Inductance/Phase	5.6mH	Gearbox weight	0.8kg
Rotor inertia	480gcm <sup>2</sup>	Motor With Gearbox weight	1.8kg
Insulation Class	Class B	Shaft Dia	14mm
Length (L)	76mm	Gearbox height	53mm
Shaft Dia	8mm		
Shaft Length	8.6mm		



**RHINO**