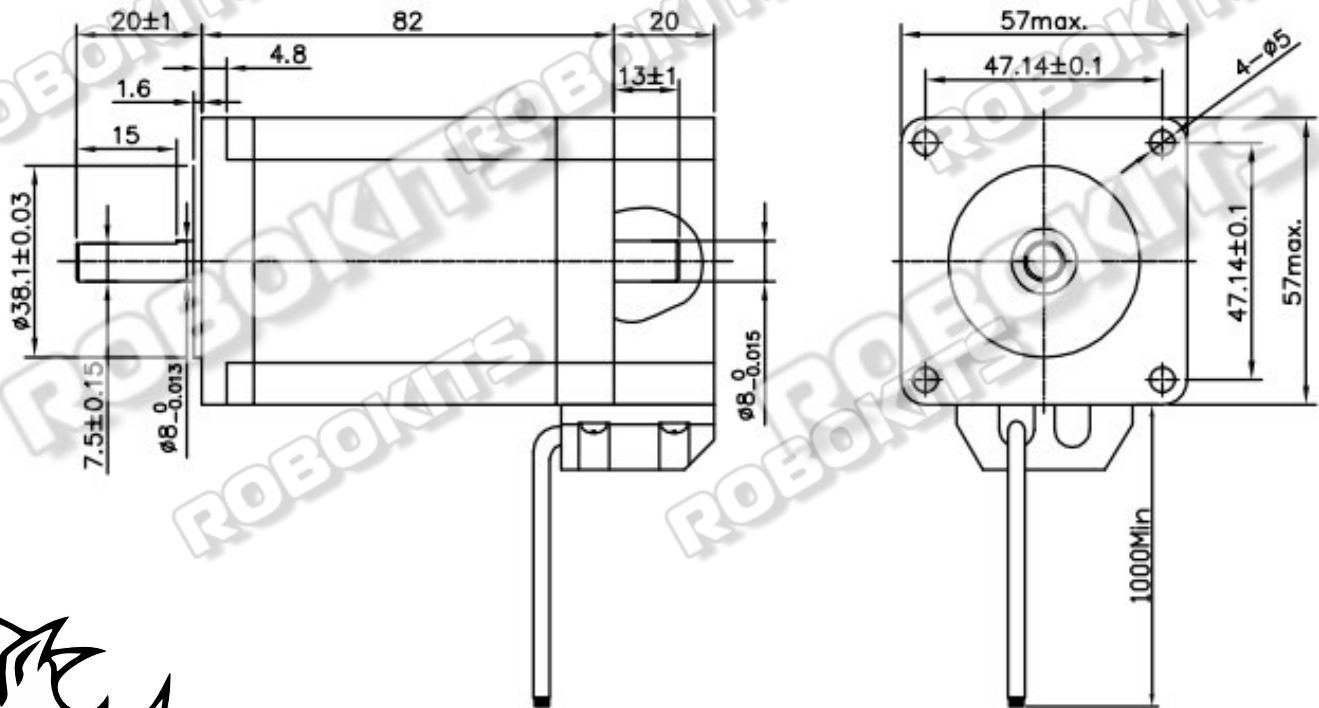


RMCS-1062 NEMA23 DUAL SHAFT STEPPER MOTOR 22 KGCM TORQUE-PREMIUM

General Specifications		Electrical Specifications	
Step Angle	1.8 Degree, 50 Pole	Rated Voltage	3.2 V
Configuration	4-Wire Bipolar Stepper Motor	Phase Current	4 A
Rotor Inertia	480 Gcm ²	Resistance Per Phase	0.35ohm
Insulation Class	Class B	Inductance Per Phase	1.8 mH
Motor Length (L)	102 mm	Wiring Specifications	
Input Shaft Diameter	8 mm	A-	Blue
Back Shaft Diameter	8 mm	A+	Red
Shaft Length	20 mm	B-	Green
Wight	1.62 Kg	B+	Black



RHINO