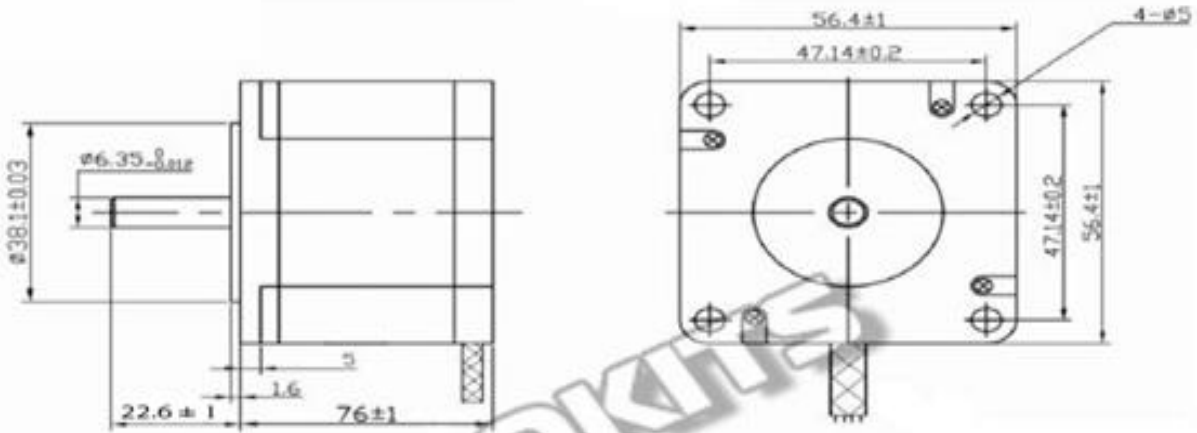
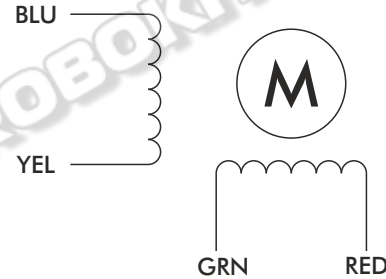


RMCS-1025 Nema23 Stepper Motor

19Kgcm Torque - Economy

General Specifications	
Motor Type	Stepper Motor
Step Angle	1.8°
Rated Voltage	3.2V DC
Holding Torque (Kgcm)	19 Kgcm
Detent Torque (Kgcm)	0.68 Kgcm
Rotor Inertia (Gcm ²)	480
Rated Current (A)	2.8
Resistance Per Phase (10%E)	1.13
Inductance Per Phase (20% _{mH})	5.6
Temperature Rise (C)	80 Max
Ambient Temperature (C)	-20 To + 50 C
Number Of Phase	2
Shaft Length	24 mm
Weight	1030 Grams



RHINO