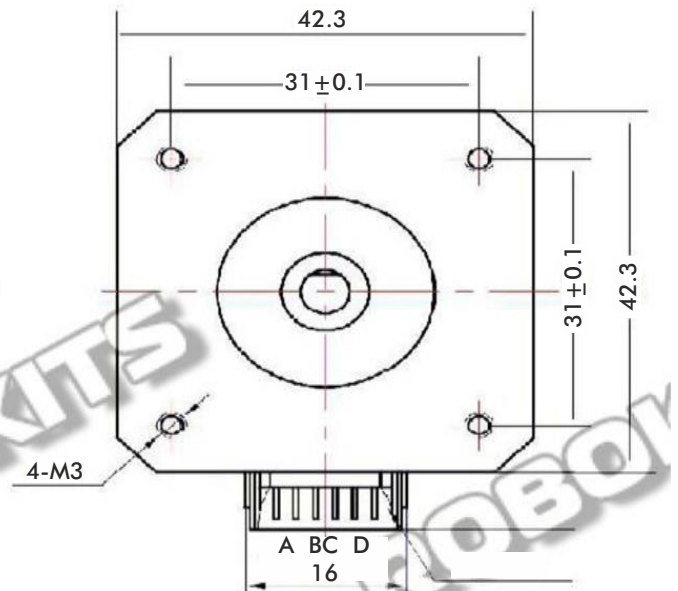
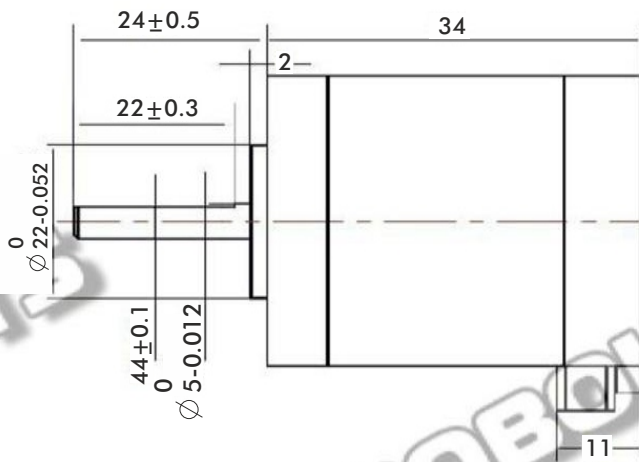
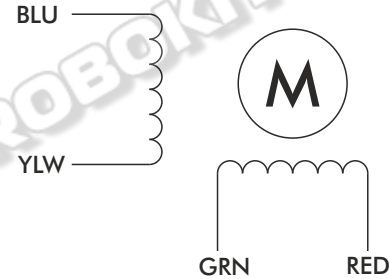


RMCS-1023 Nema17 Stepper Motor

2.8 Kgcm - High Torque

General Specifications	
Motor Type	Stepper Motor
Step Angle	1.8
Rated Voltage	3.12V DC
Holding Torque (Kgcm)	2.8 Kgcm
Configuration	4 Wire Bipolar
Rated Current (A)	1.3
Resistance Per Phase (10%E)	2.4
Inductance Per Phase (20%E)	2.8
Insulation Class	Class B
Number Of Phase	2
Shaft Type	D - Shaft
Shaft Length	24 mm
Motor Length Without Shaft	34 mm
Weight	220 Grams



RHINO