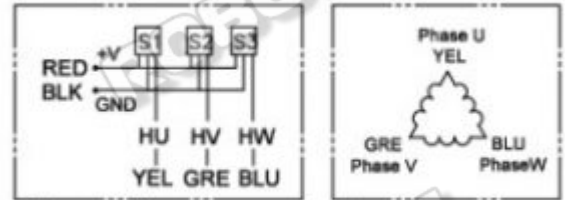


RMCS-1021 BRUSHLESS (BLDC) DC MOTOR WITH HALL LOW NOISE NEMA 17 24V 4000RPM

Motor Specifications		Electrical Connection Table	
Number Of Poles	8	W	BLU (Motor Phase)
Phase To Phase Resistance	0.73 ohms	V	GRE (Motor Phase)
Insulation Class	B	U	YEL (Motor Phase)
Shaft Dia (mm)	5	GND	GND
Length (mm)	61	+5V	RED
Weight (Gms)	460	HW	BLU (Hall W)
Electrical Specifications		HV	GRE (Hall U)
Nominal Voltage (V)	24	HU	YEL (Hall W)
No Load Current (A)	0.45		
No Load Speed	5000 RPM		
Rated Speed	4000 RPM		
Rated Torque (KGCM)	1.25		
Output Power (W)	52.5		

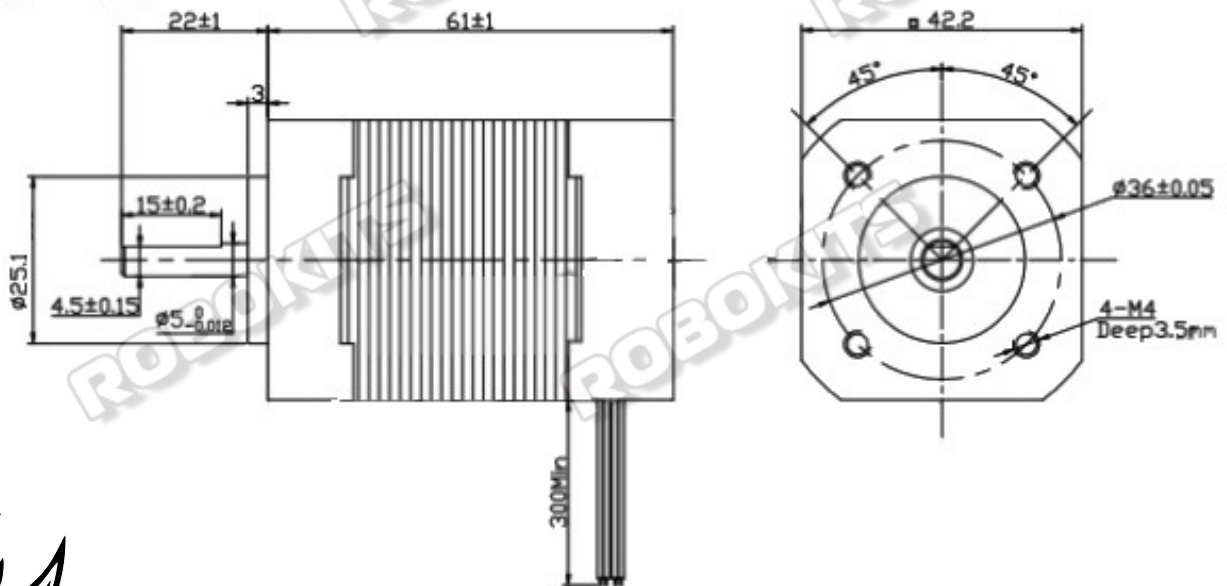
Connection diagram:



Hall sensor cable
Note: hall sensor power supply voltage +5 to +20VDC

Wiring cable

• Dimensions (Unit = mm)



RHINO