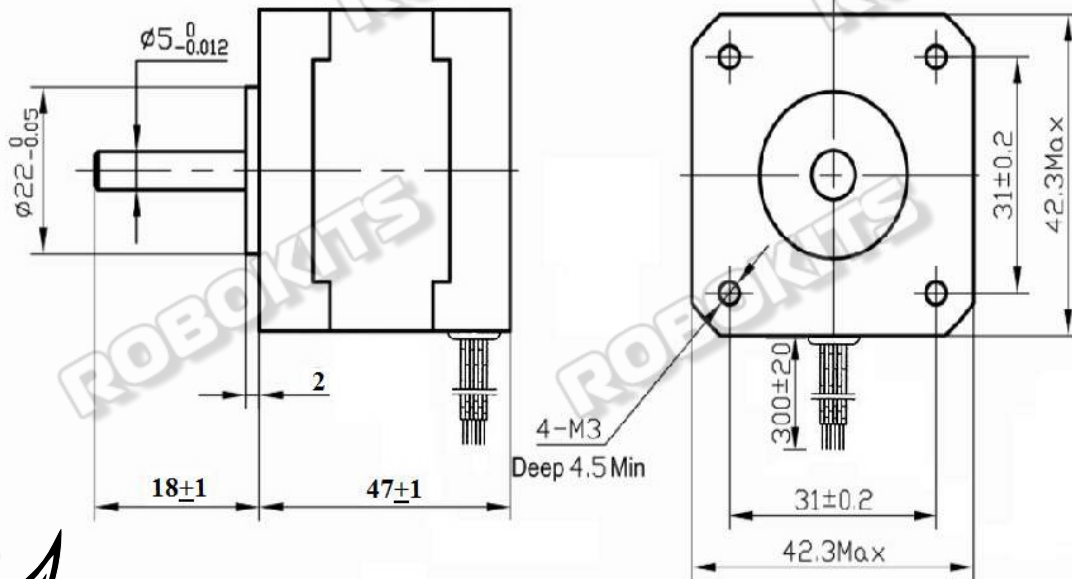
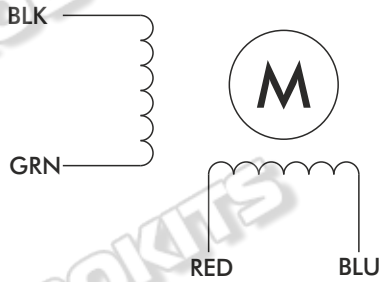


RMCS-1012 Nema17 Stepper Motor

4.4Kgcm Torque

General Specifications	
Step Angle	1.8 Degree
Temperature Rise (C)	80 Max
Ambient Temperature (C)	-20 To +50
Number Of Phase	2
Insulation Resistance (ME)	100
Insulation Class	Class B

Electrical Specifications	
Rated Voltage (V)	2.8
Rated Current (A)	1.68
Resistance Per Phase (10%E)	1.65
Inductance Per Phase (20%EmH)	2.8
Holding Torque (Kgcm)	4.4
Weight (Kg)	0.35



RHINO