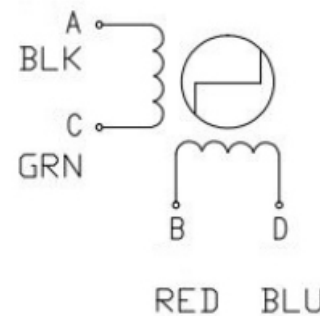
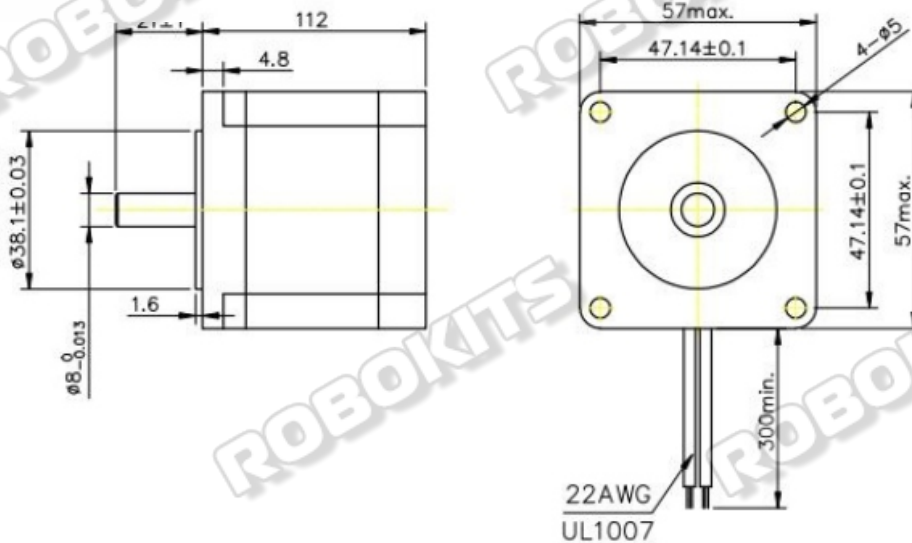
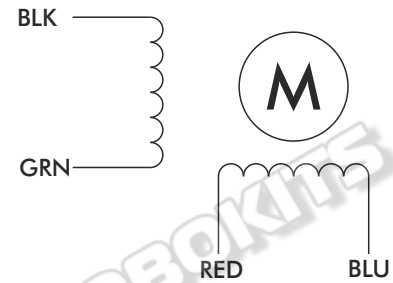


RMCS-1009 Nema23 Stepper Motor

28Kgcm Torque

General Specifications

Phase	2
Step Angle	1.8° Deg
Voltage	4.08 V
Current	3 A
Resistance	1.6 ohm
Inductance	6.8 ± 10% mH
Holding Torque	28 Kgcm
Insulation Class	B
Weight	1.5 kg



RHINO