

# RMCS-1004 Nema34 Stepper Motor

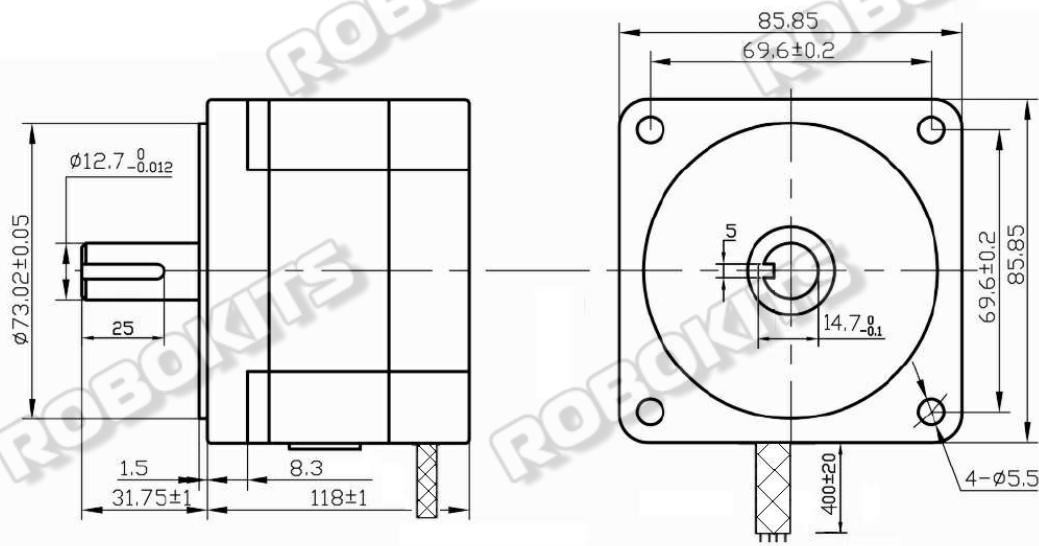
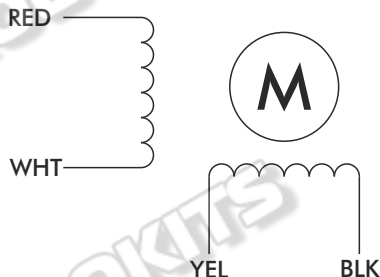
## 85Kgcm Torque

### General Specifications

Step Angle	1.8 Degree
Temperature Rise (C)	80 Max
Ambient Temperature (C)	-20 To +50
Number Of Phase	2
Insulation Resistance (ME)	100 Min
Insulation Class	Class B
Max. Radial Force (N)	220
Max Axial Force (N)	60

### Electrical Specifications

Rated Voltage (V)	3.75
Rated Current (A)	5
Resistance Per Phase (10%E)	0.76
Inductance Per Phase (20%EmH)	8.5
Holding Torque (Kgcm)	85
Detent Torque (N.m)	0.24
Rotor Inertia (G.cm <sup>2</sup> )	2700
Weight (Kg)	3.8



**RHINO**