

RMCS-1002 Nema23 Stepper Motor

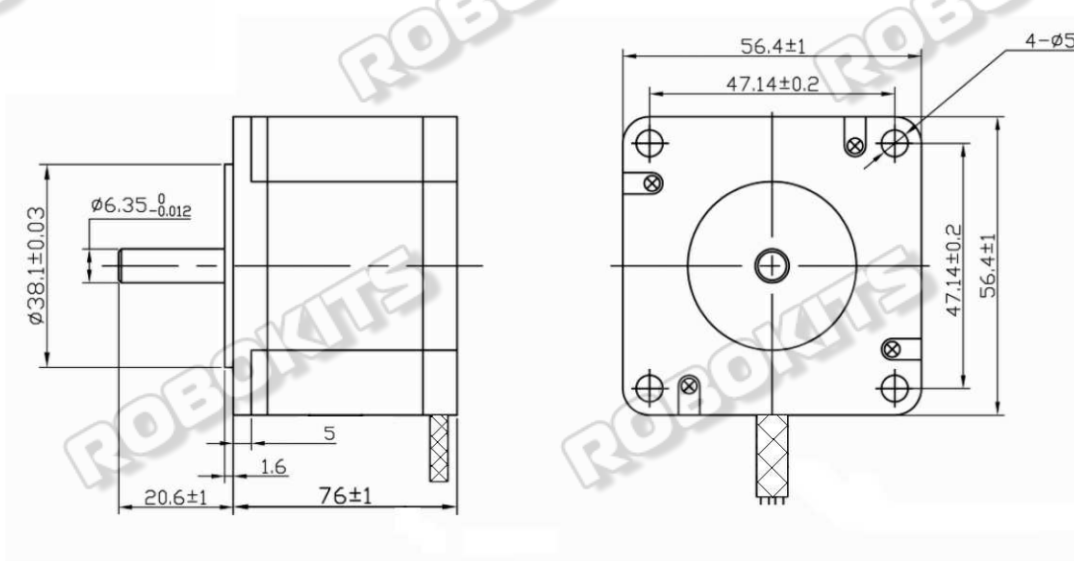
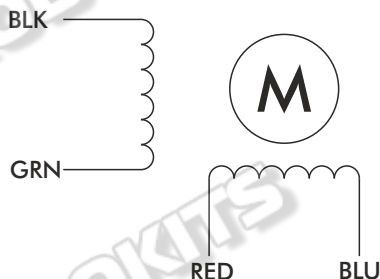
19Kgcm Torque

General Specifications

Step Angle	1.8 Degree
Temperature Rise (C)	80 Max
Ambient Temperature (C)	-20 To +50
Number Of Phase	2
Insulation Resistance (ME)	100 Min
Insulation Class	Class B
Max. Radial Force (N)	75
Max Axial Force (N)	15

Electrical Specifications

Rated Voltage (V)	3.2
Rated Current (A)	2.8
Resistance Per Phase (10%E)	1.13
Inductance Per Phase (20%EmH)	5.6
Holding Torque (Kgcm)	19
Detent Torque (N.m)	0.68
Rotor Inertia (G.cm ²)	480
Weight (Kg)	1.03



RHINO