

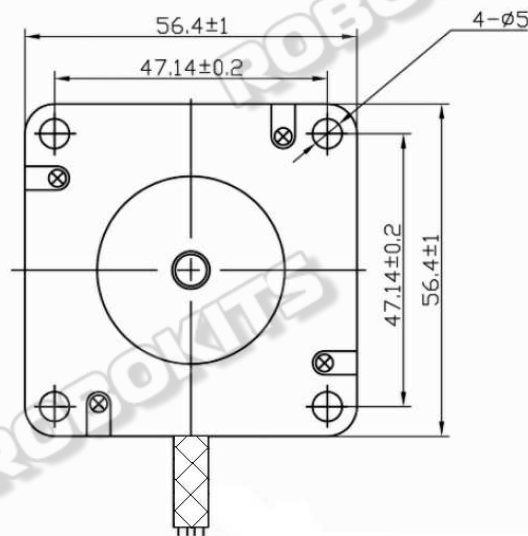
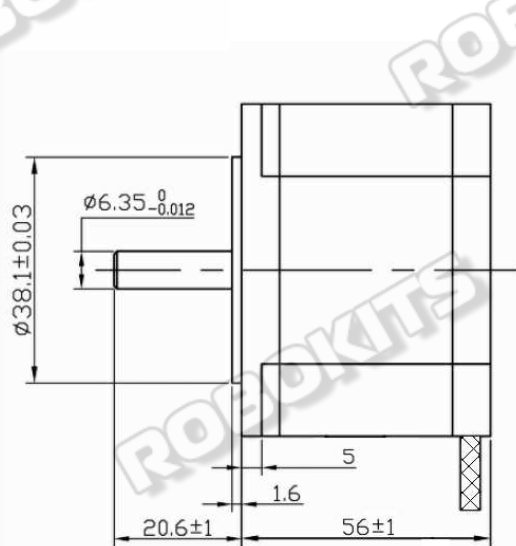
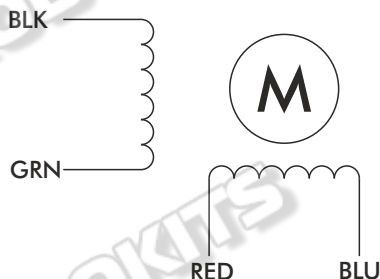
RMCS-1001 Nema23 Stepper Motor 10Kgcm Torque

General Specifications

Step Angle	1.8 Degree
Temperature Rise (C)	80 Max
Ambient Temperature (C)	-20 To +50
Number Of Phase	2
Insulation Resistance (ME)	100 Min
Insulation Class	Class B
Max. Radial Force (N)	75
Max Axial Force (N)	15

Electrical Specifications

Rated Voltage (V)	3.3
Rated Current (A)	2
Resistance Per Phase (10%E)	1.65
Inductance Per Phase (20%EmH)	2.2
Holding Torque (Kgcm)	10.2
Detent Torque (N.m)	360
Rotor Inertia (G.cm2)	275
Weight (Kg)	0.65



RHINO