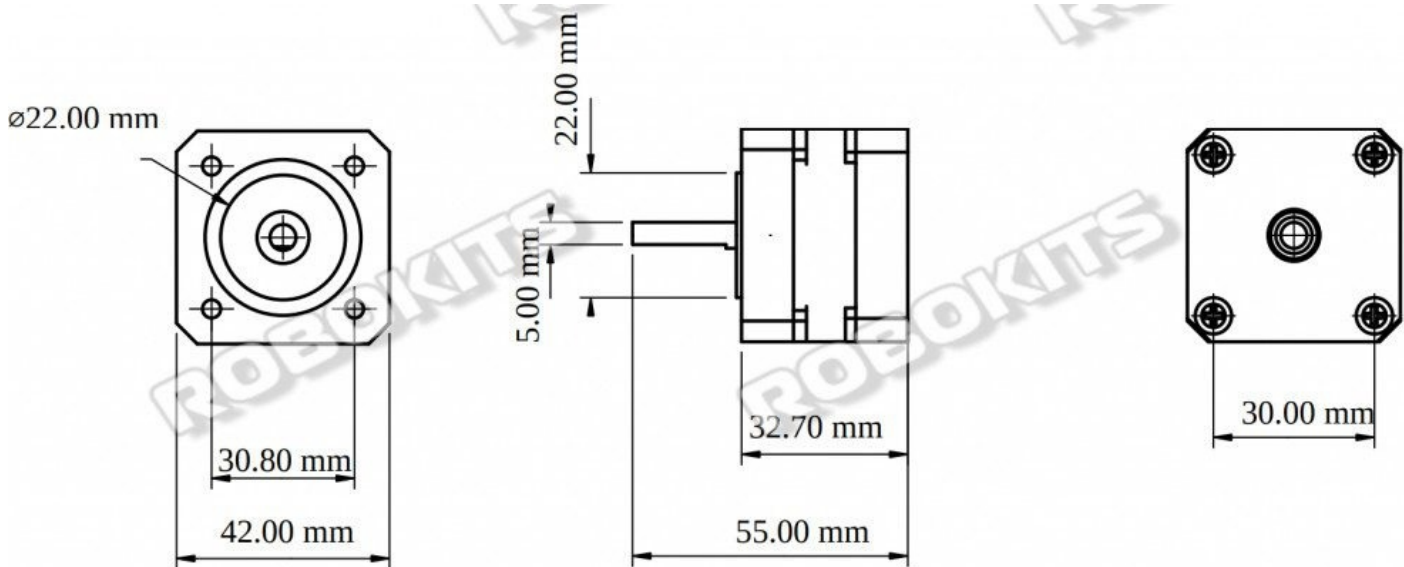


RKI-1127 NEMA17 HIGH TORQUE STEPPER MOTOR

General Specifications		Wiring Specifications	
Motor Type	Stepper Motor	A+	Blue
Mounting	Tapped Holes On 4 Corners	A-	Yellow
Shaft Type	Standard Shaft	B+	Red
Shaft Diameter	5 mm	B-	Green
Shaft Length	24 mm		
Torque	3.1 kgcm		
Weight	220 gm		
Dimensions	42 X 42 X 34 mm		



RHINO